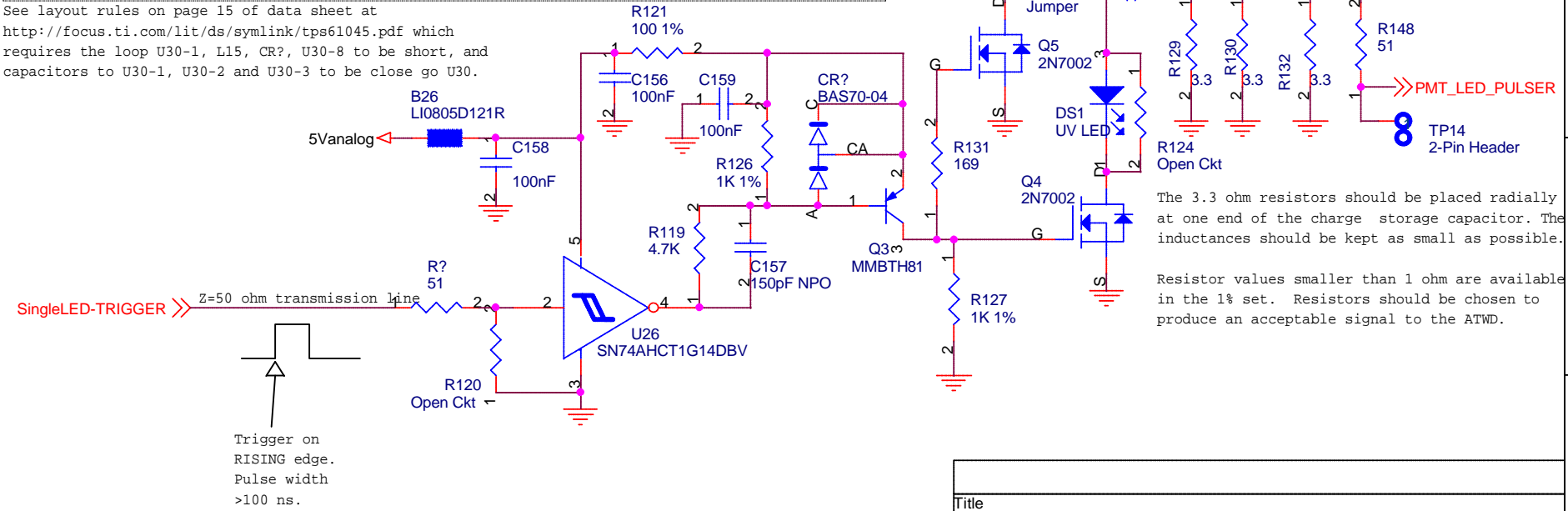


The response to 'action items' indicates that a 12 bit DAC should be used; consequently U34 will have to be change from a MAX5250BEAP to a MAX525BEAP, like U61.

See layout rules on page 15 of data sheet at <http://focus.ti.com/lit/ds/symlink/tps61045.pdf> which requires the loop U30-1, L15, CR?, U30-8 to be short, and capacitors to U30-1, U30-2 and U30-3 to be close go U30.



Title		
Digital Optical Module Single LED		
Size A	Document Number PMT LED, Sheet 5	Rev 0
Date:	Thursday, October 16, 2003	Sheet 0 of 15