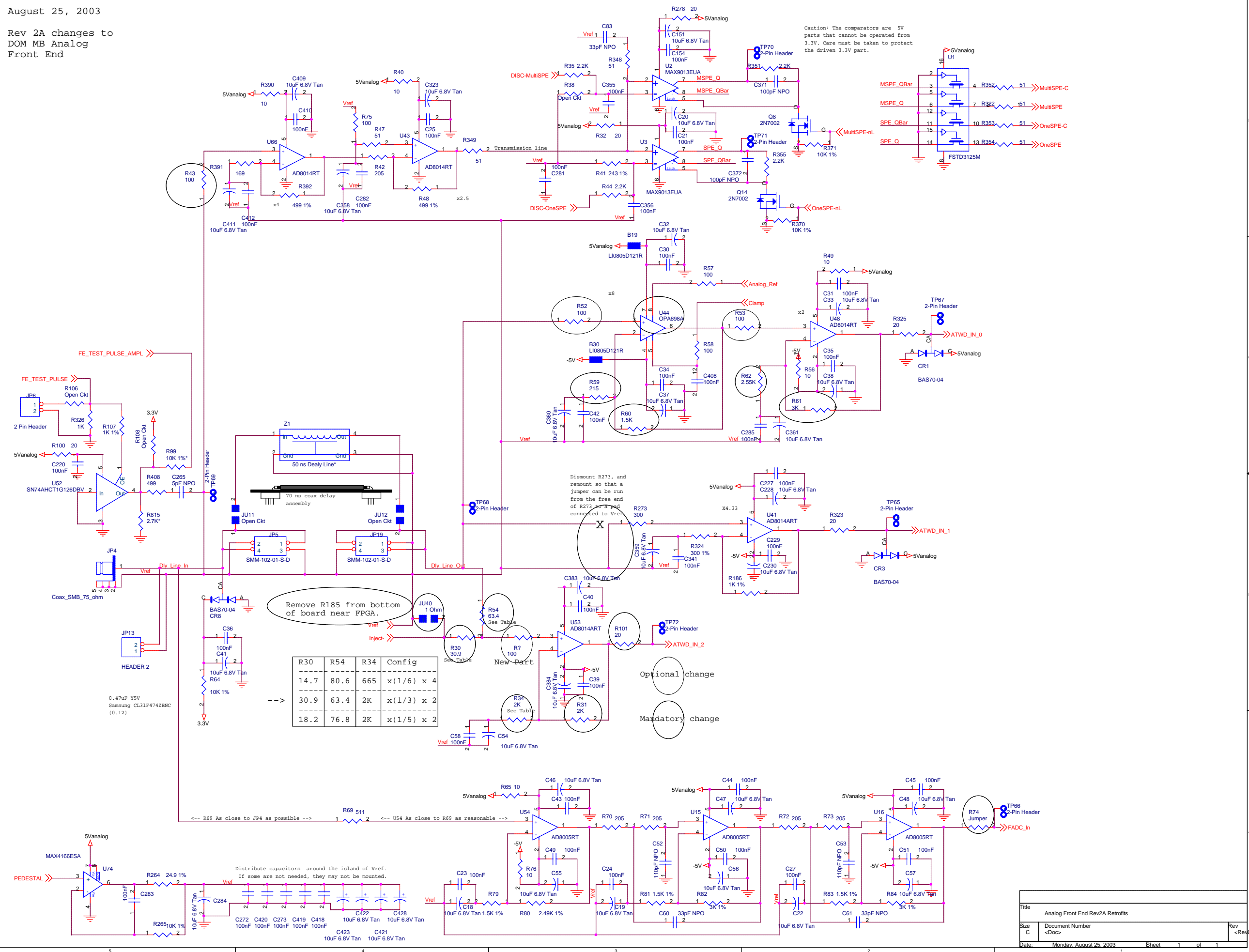


August 25, 2003

Rev 2A changes to
DOM MB Analog
Front End



Caution! The comparators are 5V parts that cannot be operated from 3.3V. Care must be taken to protect the driven 3.3V part.

Remove R185 from bottom of board near FPGA.

R30	R54	R34	Config
14.7	80.6	665	x(1/6) x 4
30.9	63.4	2K	x(1/3) x 2
18.2	76.8	2K	x(1/5) x 2

Optional change

Mandatory change