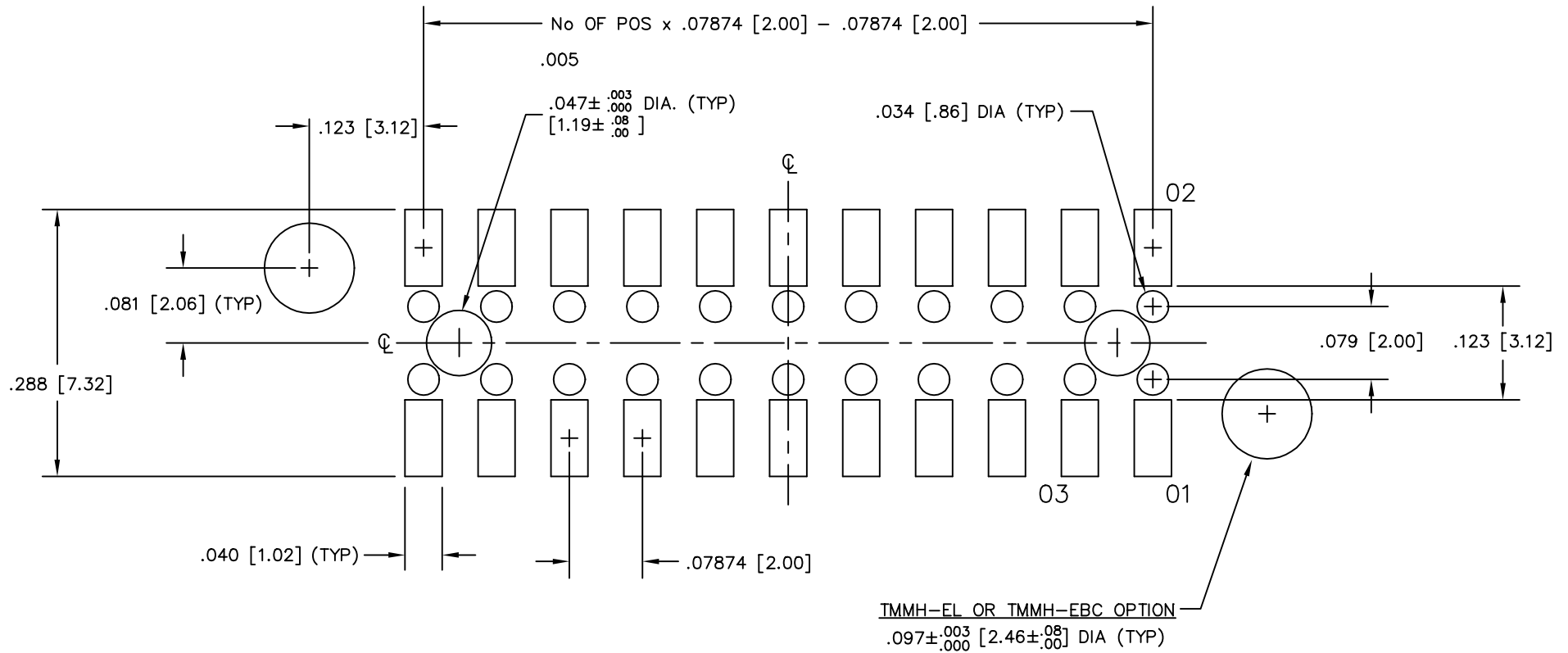


REV. B

# RECOMMENDED PCB LAYOUT FOR SMM SMT PASS-THRU (TMMH-EL OR TMMH-EBC SHROUDS)



PLOT SCALE: 1 = .1

MISC\MKTG\FOOTPRINT  
SMM-D-PE



810 PROGRESS BLVD. NEW ALBANY, INDIANA 47150  
PHONE (812) 944-6733 P.O. BOX 1147