

# 2mm HIGH REL SOCKET SMM SERIES

## SPECIFICATIONS

For complete specifications see [www.samtec.com?SMM](http://www.samtec.com?SMM)

**Insulator Material:** Black Liquid Crystal Polymer  
**Contact Material:** BeCu



**Current Rating:** 3A @ 80°C ambient  
**Operating Temp Range:** -65°C to +125°C

**Plating:** Sn or Au over 50µ" (1,27µm) Ni  
**Contact Resistance:** 10 mΩ max

**Insertion Depth:** (3,05mm) .120" to (3,25mm) .128"

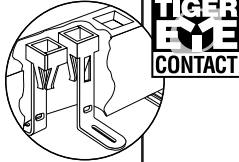
**Insertion Force:** 2.0oz (0,56N) average

**Withdrawal Force:** 1.5oz (0,42N) average

**Max Cycles:** 100 with 10µ" (0,25µm) Au

**Note:** Some lengths, styles and options are non-standard, non-returnable.

**Mates with:** TMM, TMMH, MTMM, MMT, LTMM, TW, FTW, TCMD

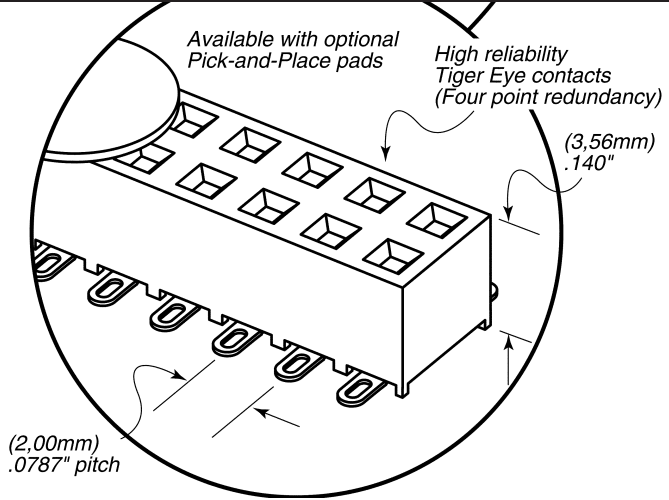


## POLARIZING KEY

Specify PK-01-07 for polarizing key. Also polarizes TCSD Series IDC Cable.

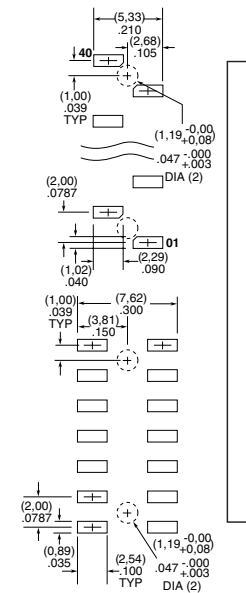
## APPLICATION SPECIFIC OPTION

Locking clip option available. Call Samtec.

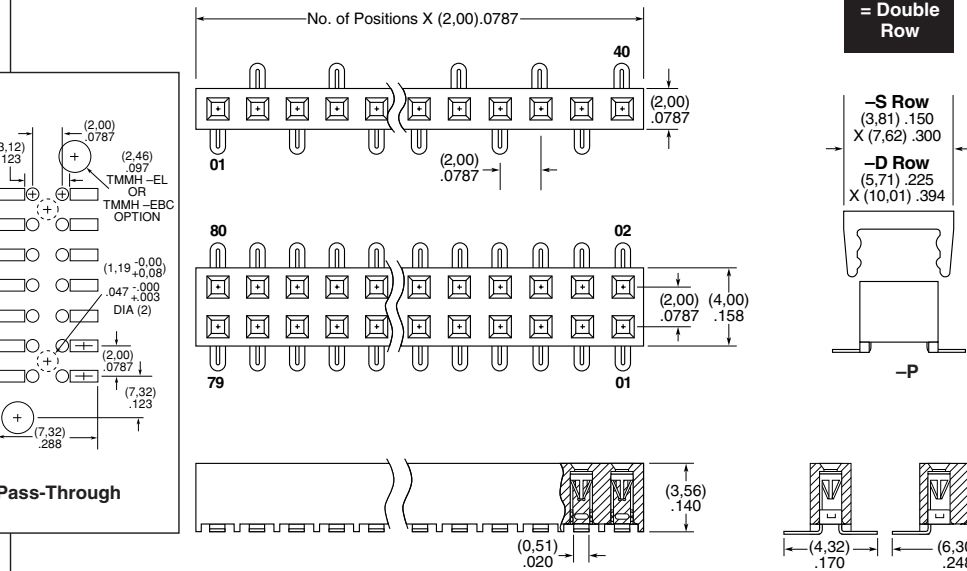


## Processing:

**Max Processing Temp:** 230°C for 60 seconds  
**SMT Lead Coplanarity:** (0,10mm) .004" max  
**Suggested PCB Layouts:** For reference only. Please contact Samtec or go to [www.samtec.com?SMM](http://www.samtec.com?SMM) for recommended PCB layout.



<b>SMM</b>	<b>1</b>	<b>NO. PINS PER ROW</b>	<b>02</b>	<b>PLATING OPTION</b>	<b>ROW OPTION</b>	<b>OTHER OPTION</b>
		<b>02 thru 40</b>		<b>-S</b> = 30µ" (0,76µm) Gold contact, Tin tail	<b>-S</b> = Single Row <b>-D</b> = Double Row	<b>-“XX”</b> = Polarized Position <b>-K</b> = (5,50mm) .217" DIA Polyimide Film Pick & Place Pad (3 positions minimum) <b>-P</b> = Plastic Pick & Place Pad <b>-TR</b> = Tape & Reel Packaging (27 positions maximum)



Due to technical progress, all designs, specifications and components are subject to change without notice.

[WWW.SAMTEC.COM](http://WWW.SAMTEC.COM)